

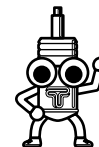


HOOD DAMPER

Installation / Instruction Manual

< Thoroughly Read This Manual Prior To Installation / Use >

Thank you for purchasing TEIN HOOD DAMPER.
Please contact us if you have any questions regarding the product or this manual.
If you do not agree to what is written in this manual, please do NOT use the product.



IMPORTANT This product is ONLY compatible with the vehicle model(s) listed below.

Vehicle Make / Model / Year	MITSUBISHI ECLIPSE 95-99 D31/32A,D38A
-----------------------------	---------------------------------------

※Plastic covers need to be cut or removed.

Contact Information

TEIN U.S.A., INC.

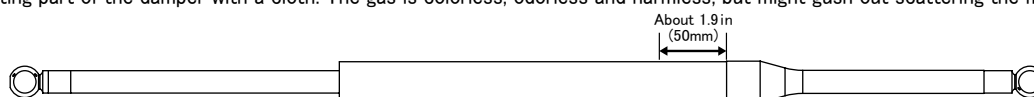
9798 Firestone Blvd. Downey, CA 90241
Phone(562)861-9161 / Fax(562)861-9171
URL: <http://www.tein.com>

TEIN UK LIMITED

Unit 7 Avant Business Centre, Denbigh West Industrial Estate
Milton Keynes MK1 1DL United Kingdom
Phone(0870)606-6543 / Fax(0870)600-1161
URL: <http://www.tein.co.uk>

[Precautions]

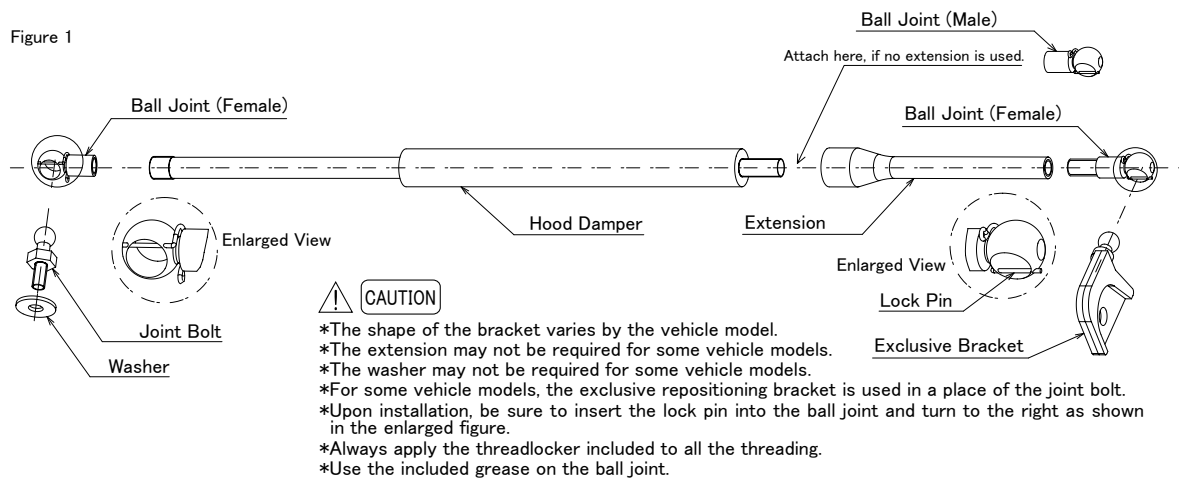
- WARNING** Do NOT install / use on the vehicle models that are not compatible with the product.
- IMPORTANT** Please keep this manual in the vehicle on which the product is installed at all time. When such vehicle is transferred to another person, this manual should be transferred along with the product and the vehicle.
- WARNING** TEIN takes NO responsibility for damage, injury or death caused directly or indirectly by the product or the use of the product, if instructions in this manual are not followed properly.
- IMPORTANT** TEIN assumes NO responsibility for any charges, labor fees, shipping fees, time loss or repair fees associated with installation or un-installation of the product.
- WARNING** This product contains high pressure nitrogen gas. Do NOT disassemble, modify or expose to flame. Avoid damaging or grabbing the body / moving parts of the product with tools, as doing so might result in malfunction of the product. If any damage is found, immediately discontinue the use and remove the product from the vehicle.
- WARNING** This product is intended to aid opening / closing of the hood. Be sure to use the OE stopper, when working on the engine bay. Without the stopper, the hood might shut with an influence of the external factor, such as wind gust and/or added weight. The strength of the damper, to support the hood, changes according to the angle of the hood. Please pay an extra attention and avoid getting hands caught in when opening / closing the hood. Also, please pay an extra attention when using the product in cold area, as the strength of the product might decrease and the hood could not be supported due to the decline in the gas pressure.
- CAUTION** **This product is only compatible with the OE hood.** Please be sure to check for any interference upon installation. TEIN takes NO responsibility for any damage, injury or death caused directly or indirectly, if the product is used with non-OE hood. Installation / use of the product with non-OE hood should be done at your own risk, as there might be some interference. Please make sure there is NO interference and/or abnormality after the installation and periodically thereafter.
- CAUTION** TEIN takes NO responsibility for any consequential event caused directly or indirectly by the use of this product, such as traffic accident, traffic ticket, loss due to the suspended use of the vehicle.
- CAUTION** Please be careful when opening / closing the hood with this product installed, as **closing with the strong force might cause the deformation of the hood.**
- CAUTION** **Due to individual differences, this product might interfere with the hood and/or fender. Use extreme caution when closing the hood for the first time after the product has been installed.**
- CAUTION** **Depending on the vehicles, The installation of Hood dampers may cause interference between the hood and surrounding parts due to the change of clearance. Make sure to check after installation that there is no interference.**
TEIN shall not be responsible for any injuries, accidents or damages caused by such neglect.
- CAUTION** Please periodically check screws, threads and/or bolts for any looseness. Loosened parts might cause noise problems, interference, accident and/or injuries.
- CAUTION** Do NOT apply any lubricant on to the moving parts of the product, as doing so might damage the seal confining the gas and eventually cause gas leak.
- CAUTION** Prior to disposing of the product, make sure the damper is fully extended, and cut where it is about 1.9in (50mm) from the end with a hacksaw according to the diagram shown below to discharge the gas completely. Be sure to wear protection glasses and cover the cutting part of the damper with a cloth. The gas is colorless, odorless and harmless, but might gush out scattering the metal chips.



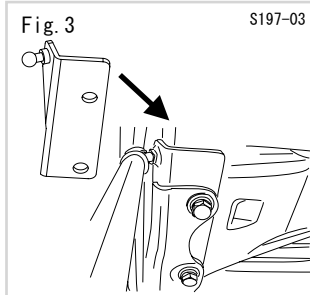
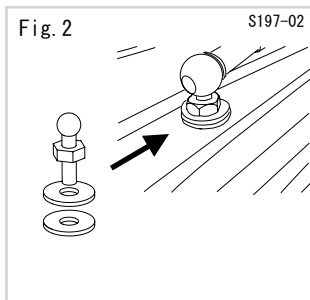
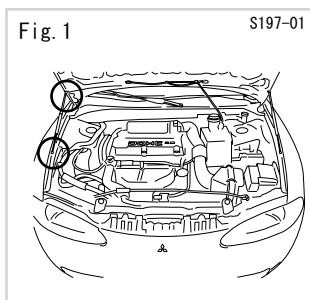
[Contents of the Kit]

Part No.		BHD01-R56			
Description	Qty	Part No.	Description	Qty	Part No.
Installation / Instruction Manual	1	INSBD-R56	Ball Joint (Female)	2	BHP06-J2747
Hood Damper	2	31040KG	Washer	4	BHP07-J2748
Extension	2	BHP01-J2724-14(195mm)	Bolt	0	-
Exclusive Bracket	1 ea.	BHP02-K5558-R/L	Collar	0	-
Exclusive Repositioning Bracket	0	-	Nut	0	-
Joint Bolt	2	BHP04-J2745	Threadlocker	1	SST01-F2223
Ball Joint (Male)	2	BHP05-J2746	Grease	1	BHP11-J2753

Figure 1



[Installation Procedure]



- Attach the extension (Aluminum) and the ball joint (Male / Female) to the main body of the damper.
 - CAUTION** Apply the supplied threadlocker (shake before each use) to bolt threads, and fully tighten by hand. Please make sure that the threaded section is NOT visible.
- Open the hood, and secure with OE hood prop.
- Unscrew and remove one of the bolts holding the fender near the strut tower (center part). (See figure 2)
- Attach and tighten the ball joint with the torque wrench at the specified torque.
 - 7.23 ft-lbf (9.8 N-m) (1.0 kgf-m)**
 - CAUTION** Be sure to use the torque wrench. The size of the ball joint thread is M6 (6mm). Please pay attention to the tightening torque, as over-tightening could damage the bolt threads. You will be charged for the replacement of damaged parts.
- Install the damper body, assembled in the procedure #1 above, to the fastened ball joint. (Remove the lock pin, put the joint in, and then firmly put back lock pin.)
 - CAUTION** Use the included grease on the ball joint. (Be sure to place the damper in the correct orientation (inverted)). Installing in the opposite direction may damage the seal confining the gas and cause a gas leak as a result.
 - (Fender side : Damper rod side) silver
 - (Hood side : Damper body side) green
- Unscrew and remove the bolt securing the hood (upper and lower side), then mount the included bracket between the hinge and the hood. Tighten the bolt to the specified torque. (See figure 3)
 - 7.23 ft-lbf (9.8 N-m) (1.0 kgf-m)**
 - CAUTION** There might be a slight gap between the hood and the fender, due to structural reasons. As the bracket is asymmetric for some vehicle models, be sure to install in the correct direction.
 - (R: on right side / L: on left side ; as viewed from the vehicle seat.)
 - Use the bolt included in the kit to fasten the bracket. (If NO bolt is included, use the OE one.)
- Connect the ball joint with the bracket on the hood side, in the same procedure as #5 shown above.
 - CAUTION** The damper body should be placed on outer side of the bracket.
- Slowly close the hood to check for any interference between the damper and the hood / fender.